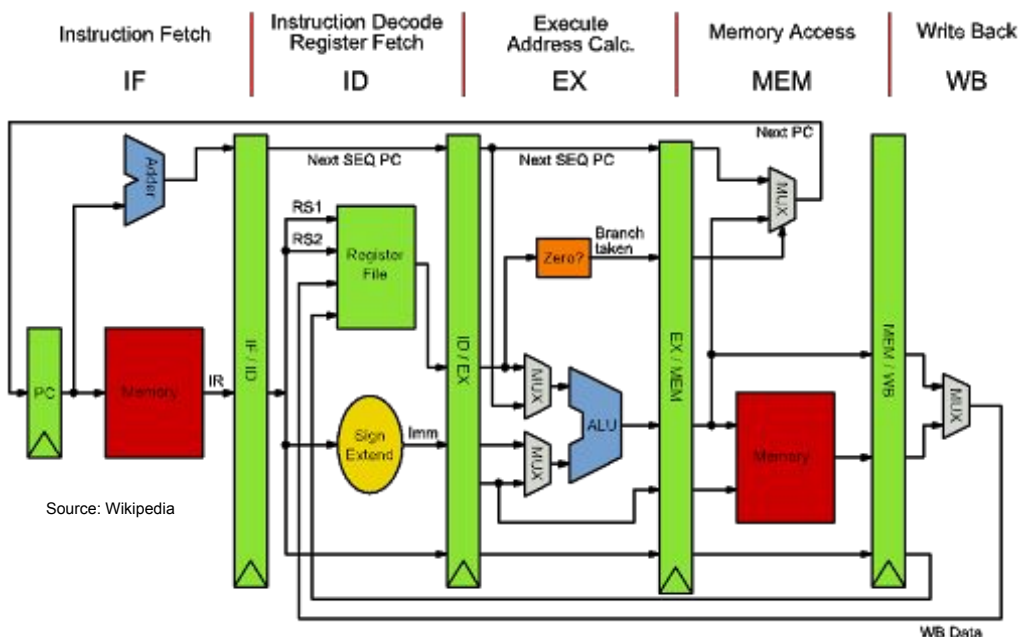


## Introduction

- Posters should be prepared over an A4 page (21 x 29.7 cm) PDF and printed out in A0 (84.1 x 118.9 cm) format;
- Stick to the template in the following areas: main title, author list, affiliation and contact sections;
- The remaining can be freely modified to suit your needs.

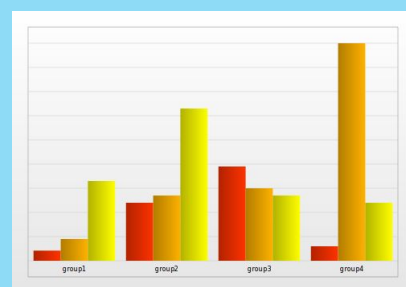
## Suggested font sizes

| Element       | A4 Font size | A0 resulting Font size |
|---------------|--------------|------------------------|
| Main Title    | 24           | 96                     |
| Section Title | 16           | 64                     |
| Section Text  | 14           | 56                     |
| Author list   | 14           | 56                     |
| Affiliation   | 9            | 36                     |
| Sources       | 6            | 24                     |



## Suggested Structure

- Introduction
- Method
- Results
- Conclusions



## Tips

- Go straight to the point;
- Be simple and clear in your statements;
- Prefer images to text;
- Credit your sources;
- Remember you'll be there to provide further explanations.