

a tw  
umb  
erms  
er of  
le da  
nary  
abov  
nste  
ment  
one  
hes.  
n ha  
ngle  
unas-  
input  
at the  
pull-  
gates  
=  
logic.  
eir  
e.,  
3-bit  
able

multiplexers in your circuit.

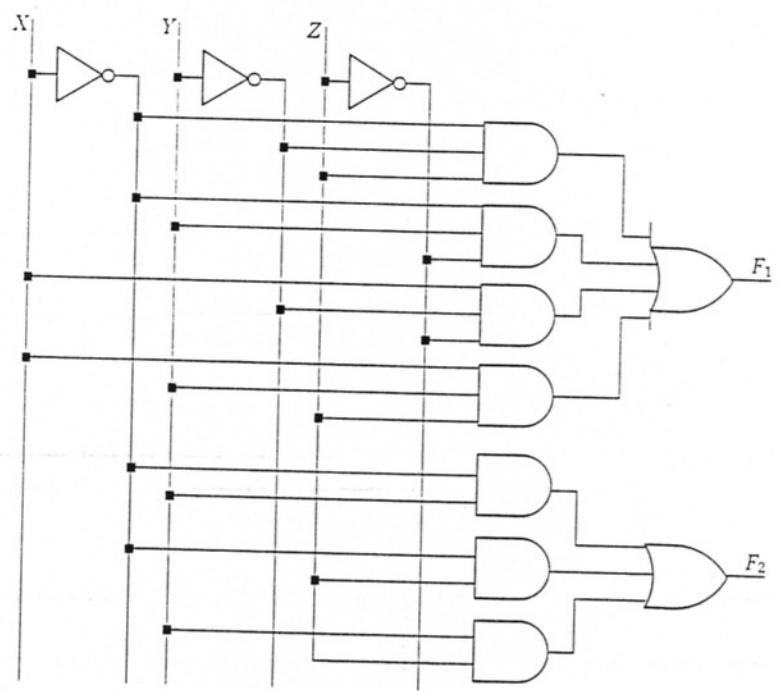


Figure Ex4.11 Circuit to be re-engineered with multiplexers.