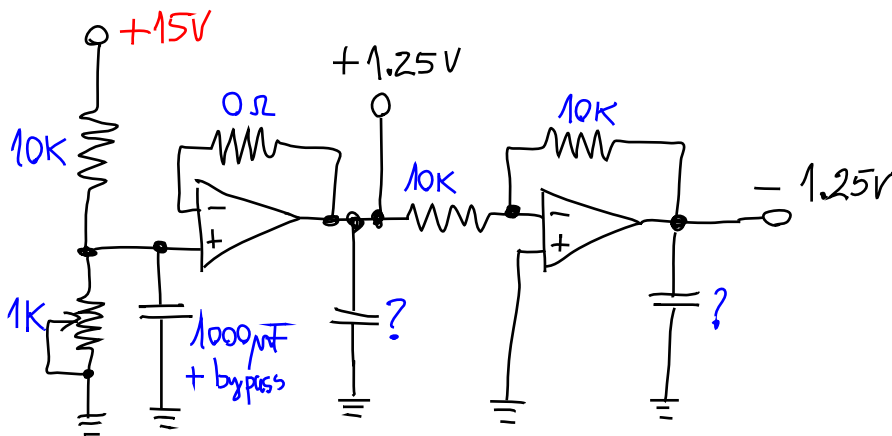
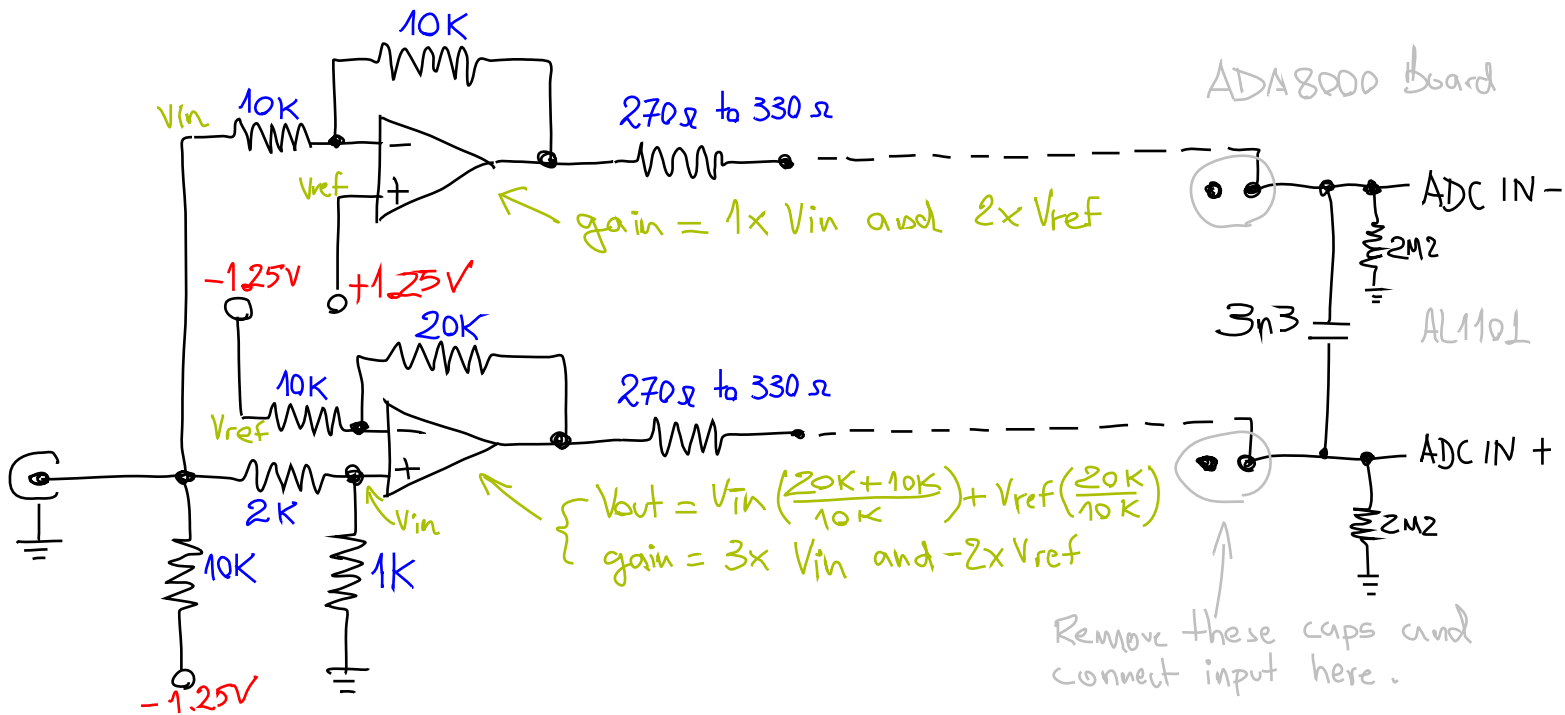


# New DC-coupled inputs for the ADA8000 using LT1359 opamps



- To generate references
- LT1359 opamps also
  - multi-turn pot
  - check for oscillation conditions before using capacitors at the outputs.
- Everywhere
- good bypass caps
  - all resistors 1% metal film

Simulated, tested in the proto board, in PCB. Tests and parameters passed. The sound is amazing (using a PSU with fast diodes, LT regulators and Nichicon capacitors - MUSE, Gold Treme, Fine Gold).

MARCELO JOHANN MARCH/2011

## DISCLAIMER

This is for your information only. I take no responsibility for any damage that this modification can cause to your equipment. Remember also that DC-coupled inputs can destroy your ADC chips if a high level signal is connected to it in normal operation after madding.