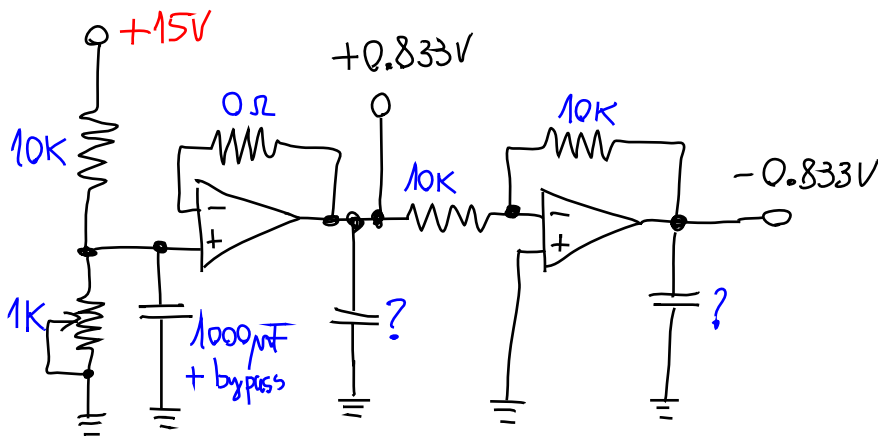
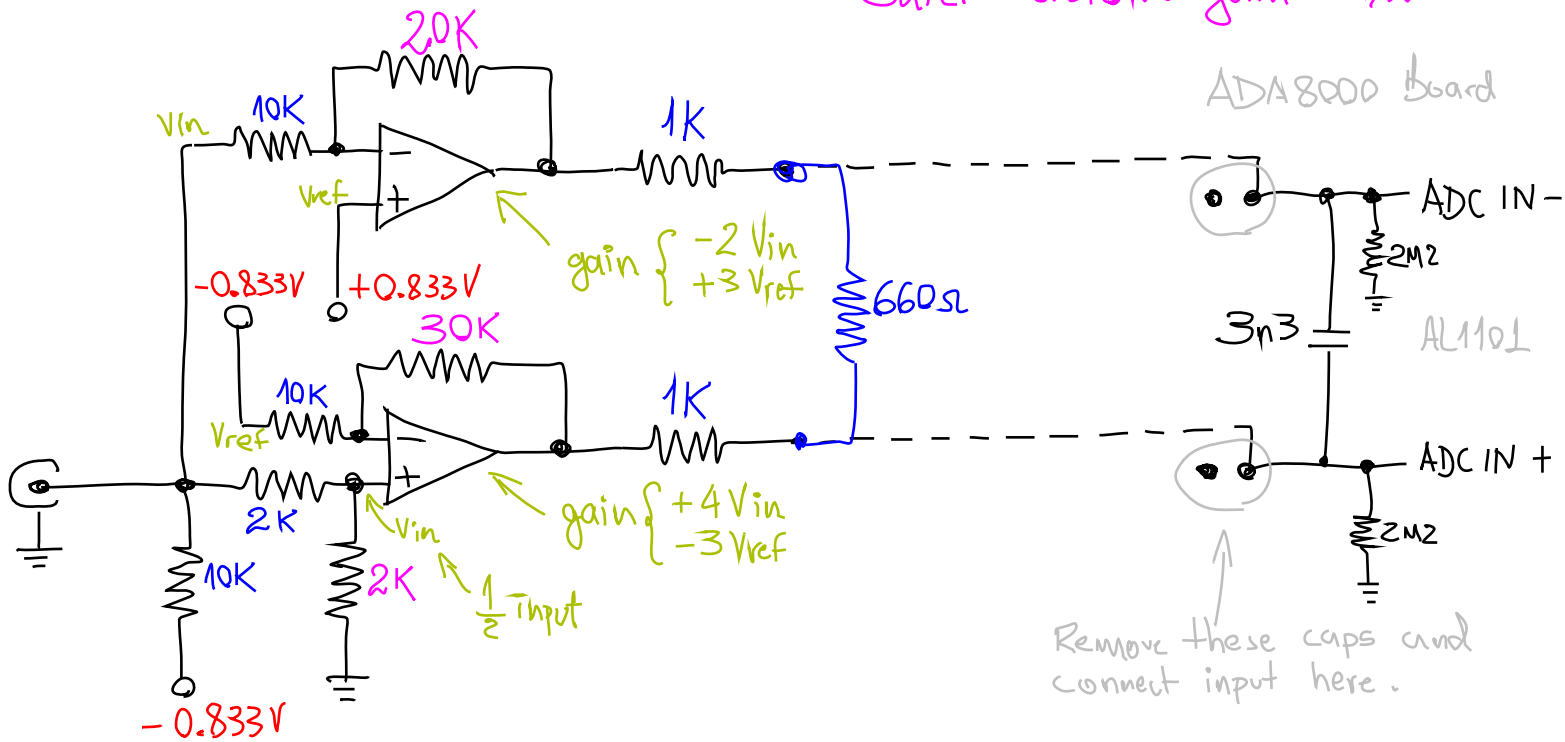


New DC-coupled inputs for the ADA8000 using LT1359 opamps

Safer version: gain = 1/2



To generate references

- LT1359 opamps also
- multi-turn pot
- check for oscillation conditions before using capacitors at the outputs.

Everywhere

- good bypass caps
- all resistors 1% metal film

Simulated, tested in the proto board, in PCB. Tests and parameters passed. The sound is amazing (using a PSU with fast diodes, LT regulators and Nichicon capacitors - MUSE, Gold Tune, Fine Gold).

MARCELO JOHANN APRIL/2011

DISCLAIMER

This is for your information only. I take no responsibility for any damage that this modification can cause to your equipment. Remember also that DC-coupled inputs can destroy your ADC chips if a high level signal is connected to it in normal operation after madding.